

A versatile lock for swing out doors and pull out drawers.

Enhance customer service. Increase sales.



The versatile Cam Lock can be mounted on wood, glass, metal and acrylic. The Cam Lock is easily embedded into furniture providing an aesthetically pleasing design. Operational efficiency, improved customer service and speed to check-out makes Smart Lock the perfect locked cabinet solution.

- › Sales associates have access to locked display cabinets, delivering a more timely response to customers
- › Enhanced interaction with customers results in increased sales



Cam Lock

FEATURES AND BENEFITS

- 1 Designed for swing out doors and pull out drawers
- 2 Simple to retrofit and install — wood, glass or metal doors with 19 mm (0.75") hole
- 3 Cam arm and bracket accessories provide installation flexibility
- 4 Lock Status Indicator provides visual confirmation that lock is locked or unlocked
- 5 Cam Lock is part of the exclusive InVue single key IR Ecosystem™



1



3



Cam Lock



IR ECOSYSTEM™

The Cam Lock is part of the exclusive InVue IR Ecosystem™, a storewide single key solution that improves customer service, increases sales and provides high theft protection.

InVue has a full line of Smart Locks that are designed for all types of glass, wood and metal locked cabinets including:

- › Pull out drawers
- › Swing out doors
- › Sliding bypass doors



Handheld Electronics

Electronic Accessories

Locked Cabinets

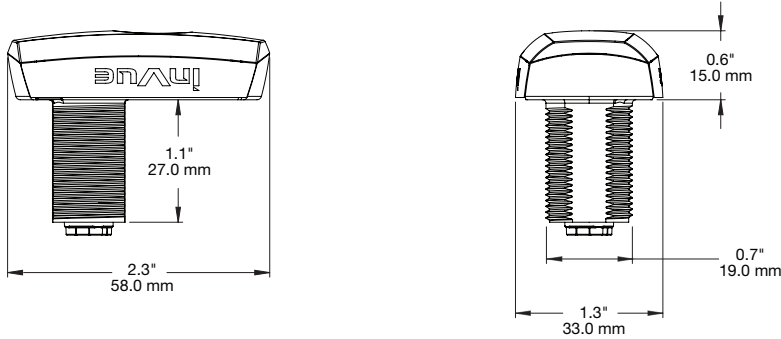
Commercial Solutions



Cam Lock

SPECIFICATIONS

Cam Lock (PL302):



Cam Lock

PRODUCT ORDERING

ORDER CODE	DESCRIPTION	CARTON QTY.
PL302-B PL302-W	Cam Lock – Black Cam Lock – White	25
PL320-101 PL320-102 PL320-103 PL320-104 PL320-105 PL320-106 PL320-107 PL320-108 PL320-110 PL320-112 PL320-116	Cam Arm Straight (16 mm, 0.63") Cam Arm Straight (19 mm, 0.75") Cam Arm Straight (22 mm, 0.88") Cam Arm Straight (25 mm, 1") Cam Arm Straight (28 mm, 1.13") Cam Arm Straight (32 mm, 1.25") Cam Arm Straight (35 mm, 1.38") Cam Arm Straight (38 mm, 1.5") Cam Arm Straight (44 mm, 1.75") Cam Arm Straight (51 mm, 2") Cam Arm Straight (63 mm, 2.5")	5
PL320-303 PL320-306 PL320-308 PL320-312	Cam Arm Offset (22 mm x 3 mm, 0.875" x 0.125") Cam Arm Offset (32 mm x 3 mm, 1.25" x 0.125") Cam Arm Offset (38 mm x 3 mm, 1.5" x 0.125") Cam Arm Offset (51 mm x 3 mm, 2" x 0.125")	5
PL320-403 PL320-404 PL320-406 PL320-408 PL320-410 PL320-412 PL320-414	Cam Arm Offset (22 mm x 6 mm, 0.875" x 0.25") Cam Arm Offset (25 mm x 6 mm, 1" x 0.25") Cam Arm Offset (32 mm x 6 mm, 1.25" x 0.25") Cam Arm Offset (38 mm x 6 mm, 1.5" x 0.25") Cam Arm Offset (44 mm x 6 mm, 1.75" x 0.25") Cam Arm Offset (51 mm x 6 mm, 2" x 0.25") Cam Arm Offset (57 mm x 6 mm, 2.25" x 0.25")	5
PL320-504 PL320-506 PL320-508 PL320-512	Cam Arm Offset (25 mm x 10 mm, 1" x 0.375") Cam Arm Offset (32 mm x 10 mm, 1.25" x 0.375") Cam Arm Offset (38 mm x 10 mm, 1.5" x 0.375") Cam Arm Offset (51 mm x 10 mm, 2" x 0.375")	5
PL320-712	Cam Arm Offset (51 mm x 16 mm, 2" x 0.625")	5
PL320-SK	Cam Arm Sizing Kit	25

invue.com

©2016 InVue Security Products. No endorsement of InVue products has been made by any of the manufacturers of the products shown. Product is sold pursuant to InVue's warranty which can be found at www.invue.com/warranty.

THE AMERICAS 704.752.6513 • 888.55.INVUE
EUROPE, MIDDLE EAST & AFRICA +31.23.8900150
ASIA PACIFIC +852.3127.6811

